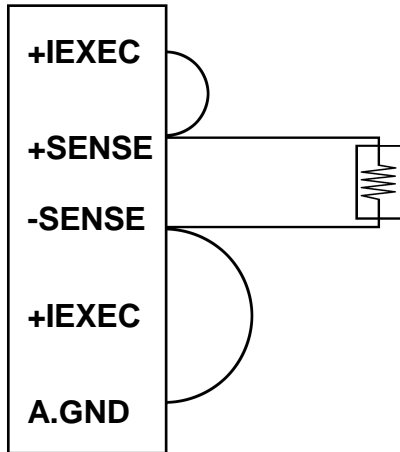
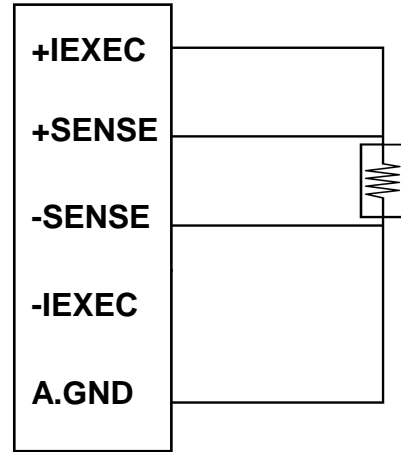


Wire Connection for A I/O

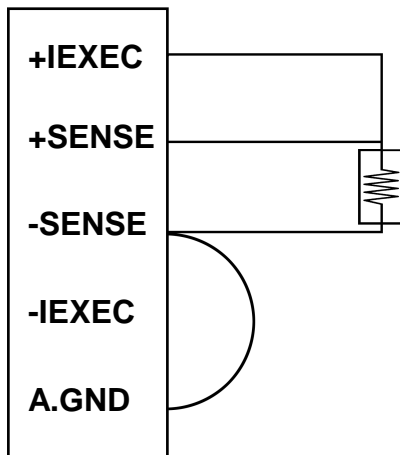
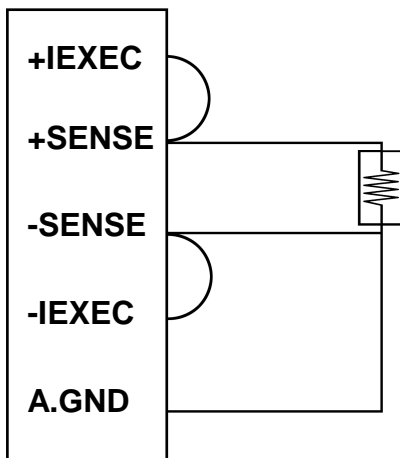
EX9013 2-wire RTD connection



EX9013 4-wire RTD connection

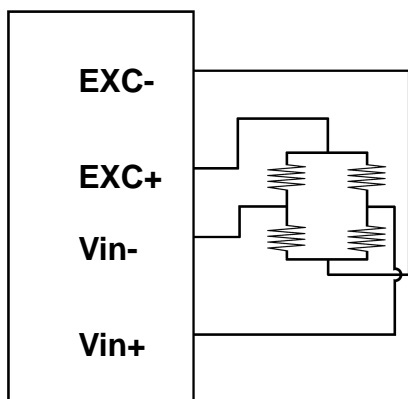


EX9013 3-wire RTD connection

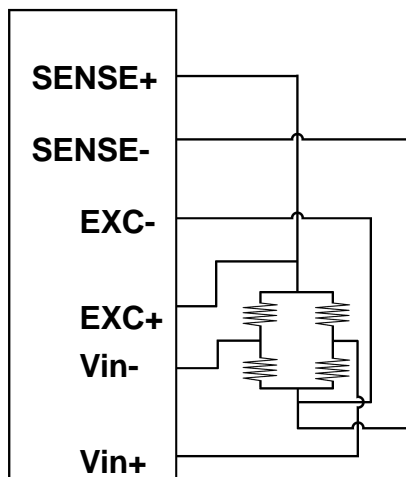


Wire Connection for A I/O

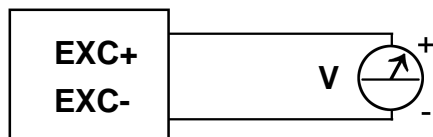
EX9016
Bridge Sensor/Load Cell/Strain
Gauge Wire Connection



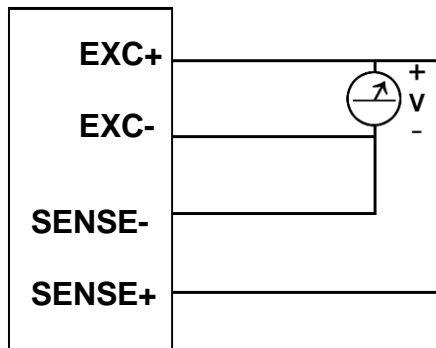
EX9016P
Bridge Sensor/Load Cell/Strain
Gauge Wire Connection



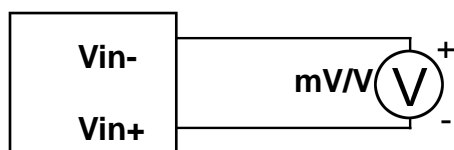
EX9016
Analog output wire connection



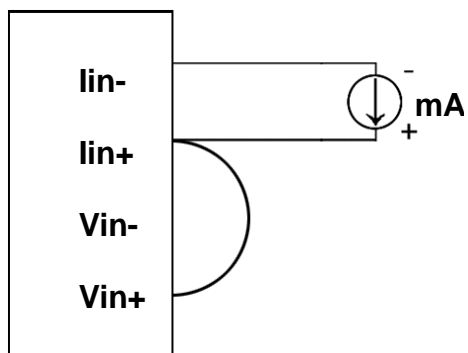
EX9016P
Analog output wire connection



EX9016
Analog input wire connection

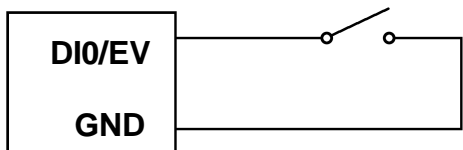
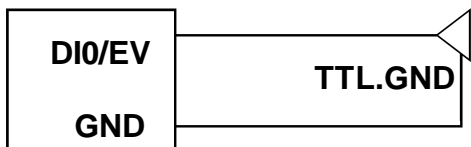


EX9016P
Analog input wire connection

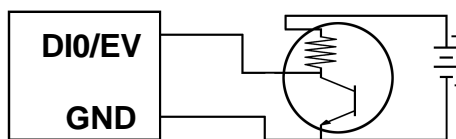
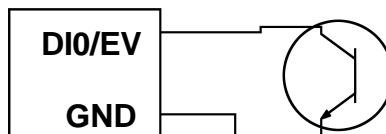


Wire Connection for A I/O

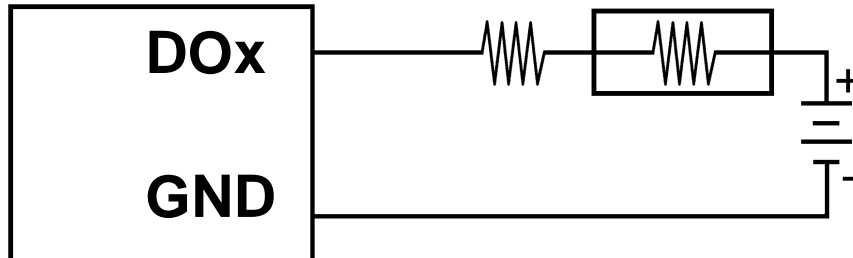
EX9016
Digital Input wire connection



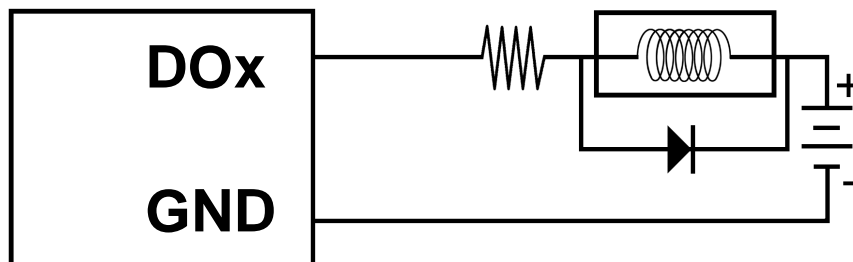
EX9016P
Digital Input wire Connection



EX9016
Digital output wire connection

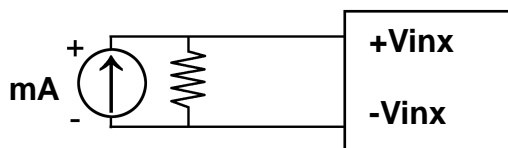
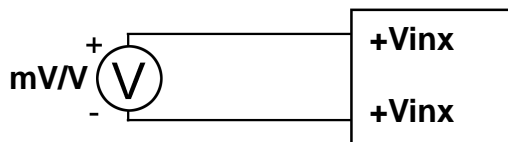


EX9016P
Digital output wire connection

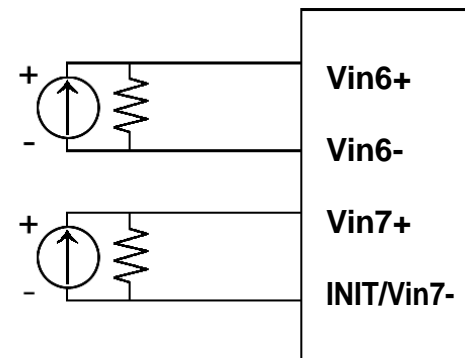
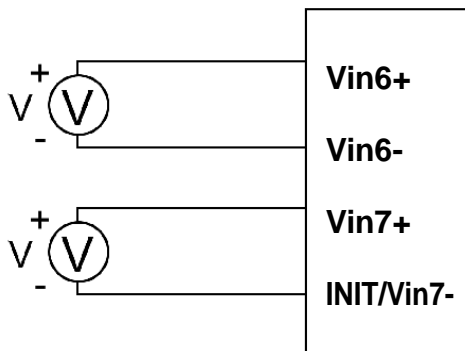


Wire Connection for A I/O

EX9017F Analog I/P Channel 0 to 5 wire connection



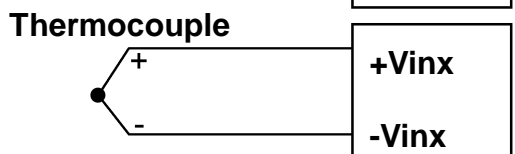
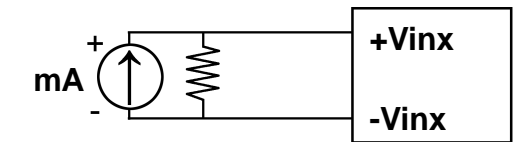
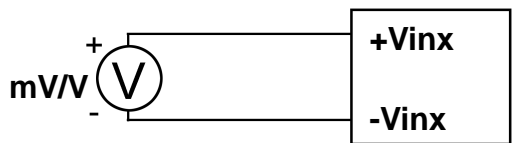
EX9017/17F Analog I/P Channel 6 and 7 wire connection, while the jumper JP1 setting is 8 differential mode.



EX9017F Analog I/P Channel 7 can't be used, while the jumper JP1 setting is INIT* mode.



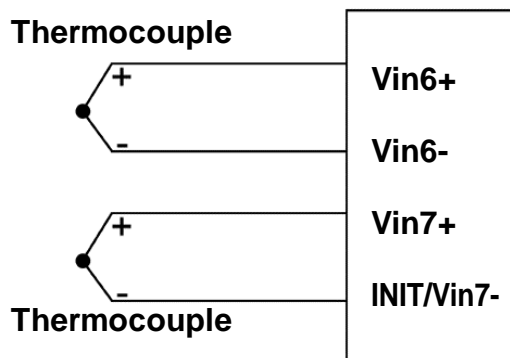
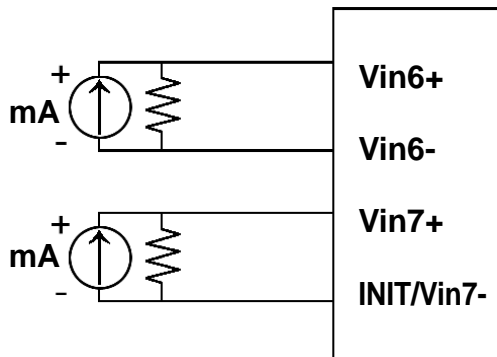
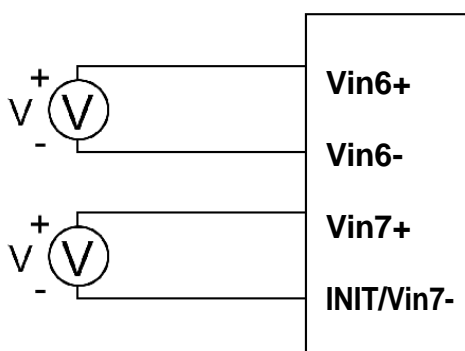
EX9018P Analog I/P Channel 0 to 5 wire connection



Wire Connection for A I/O

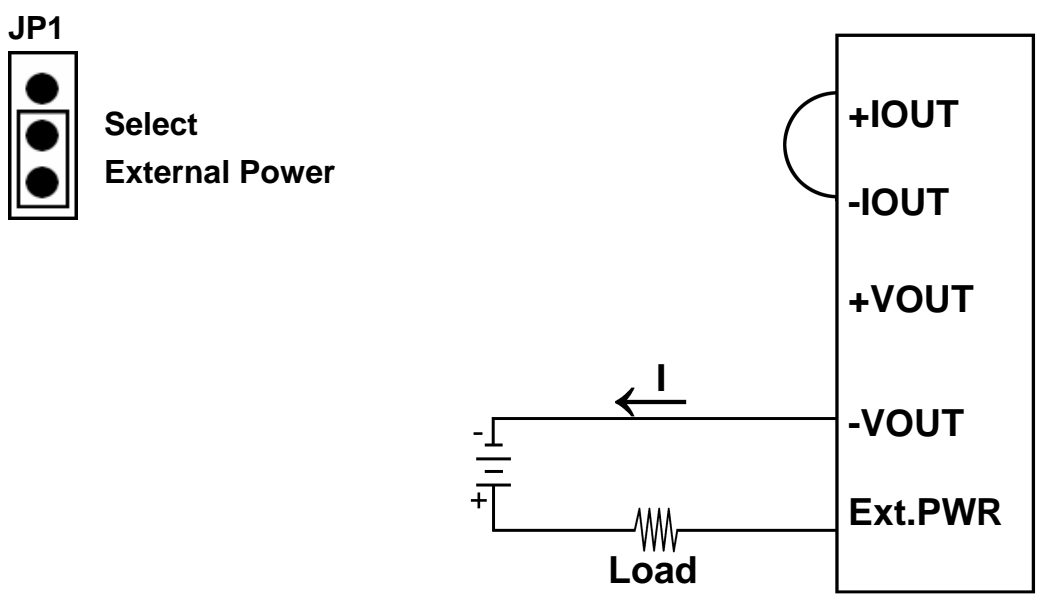
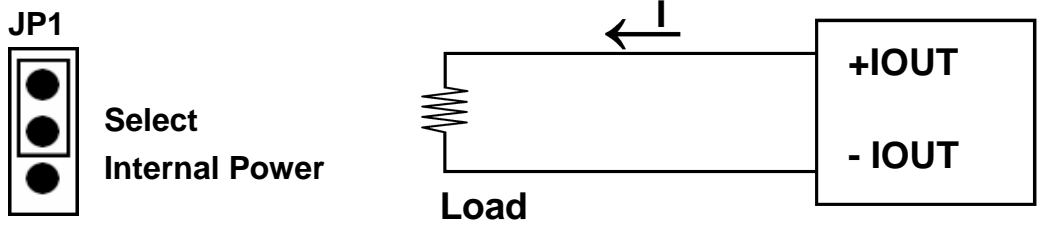
EX9018P Analog I/P Channel 6 and 7 wire connection, while the jumper JP1 setting is 8 differential mode.

EX9018P Analog I/P Channel 7 can't be used, while the jumper JP1 setting is INIT* mode.

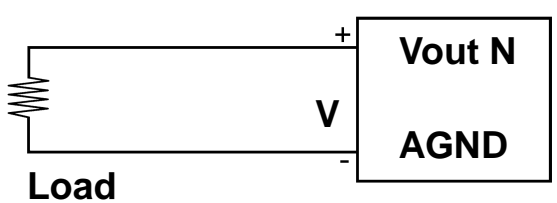


Wire Connection for A I/O

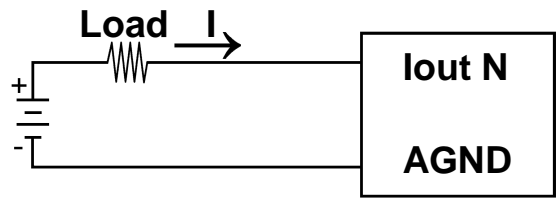
EX9021/21P/22 Current output wire connection



EX9024 Voltage output wire connection



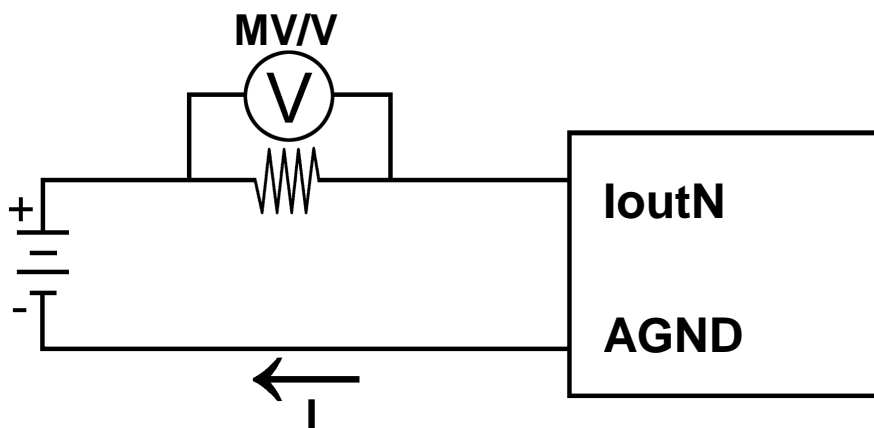
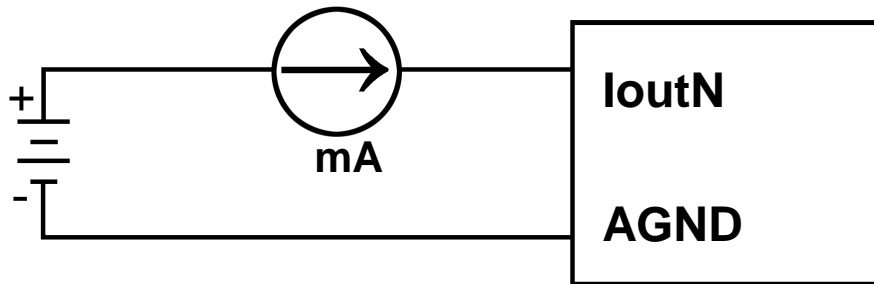
EX9024 Current output wire connection



Wire Connection for A I/O

EX9024 Current Output Calibration Sequence:

1. Connect meter and external power sources to module's current output channel 0.

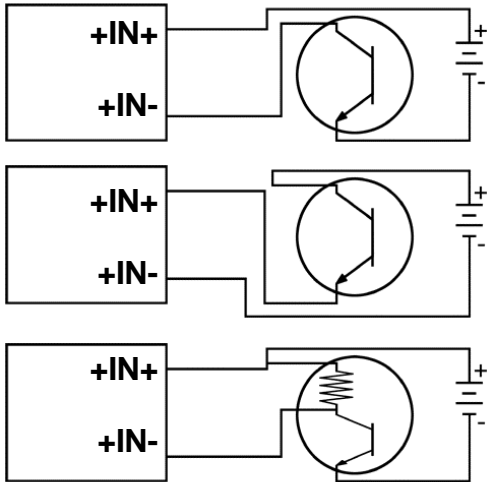


2. Setting type to 30. (0 to 20mA)
3. Output 0mA.
4. Check the meter and trim the output until 0mA match by apply trim command
5. Perform 0mA Calibration Command.
6. Output 20mA
7. Check the meter and trim the output until 20mA match by apply trim command.
8. Perform 20mA Calibration Command.
9. Repeat 1 to 8 for channel 1,2 and 3.

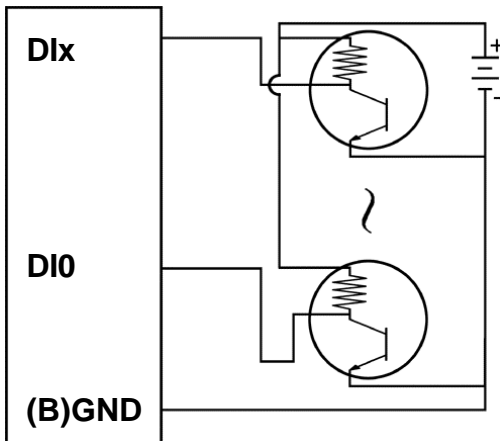
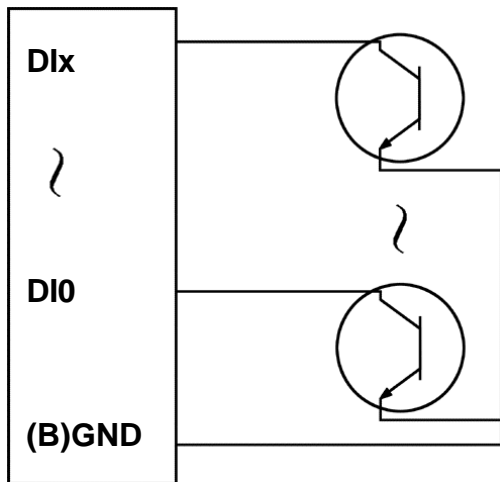
Wire Connection for D I/O

Open Collector signal I/P

EX9052D

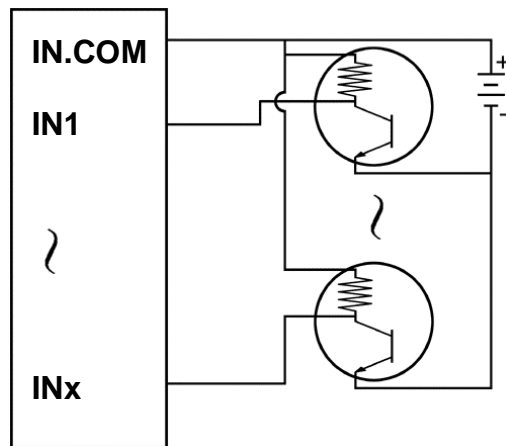
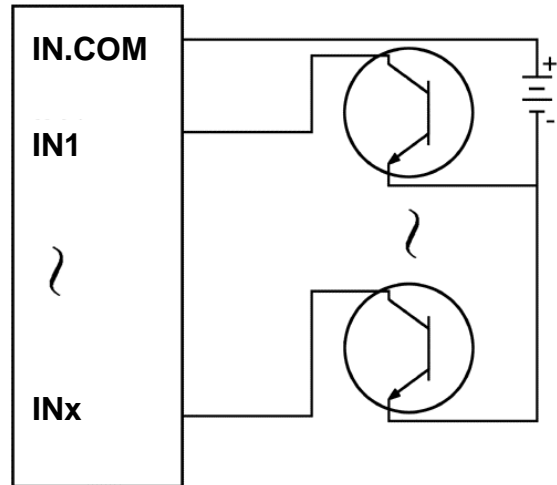


EX9050D/53D



Open Collector signal I/P

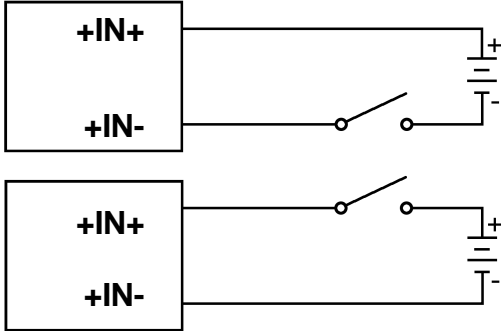
**EX9041D/44D/60D/63D/63AD/
63BD/65AD/65BD**



Wire Connection for D I/O

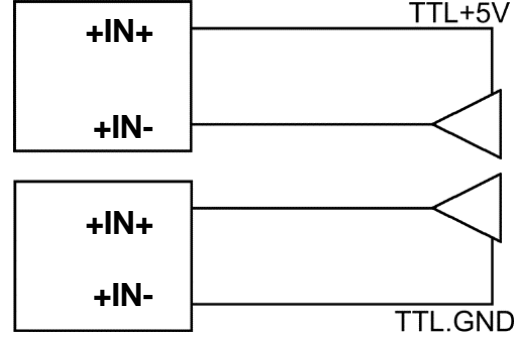
Dry Contact signal I/P

EX9052D

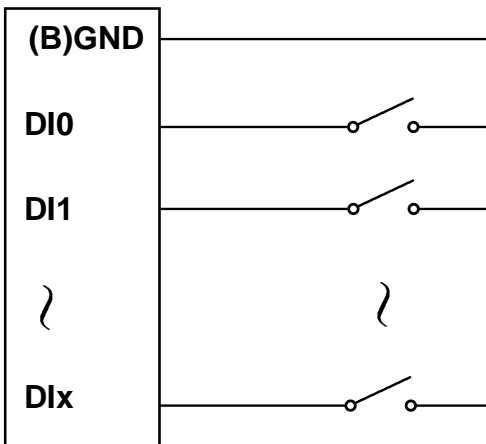


TTL/CMOS signal I/P

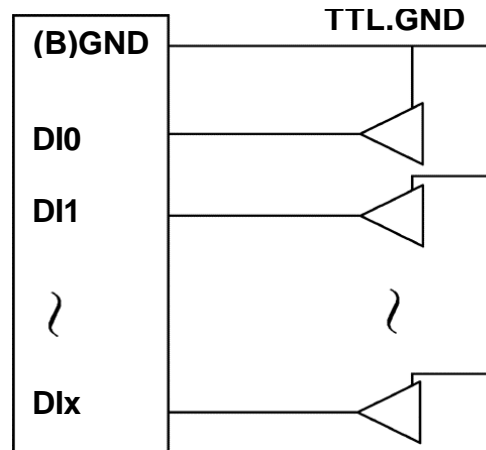
EX9052D



EX9050D/53D

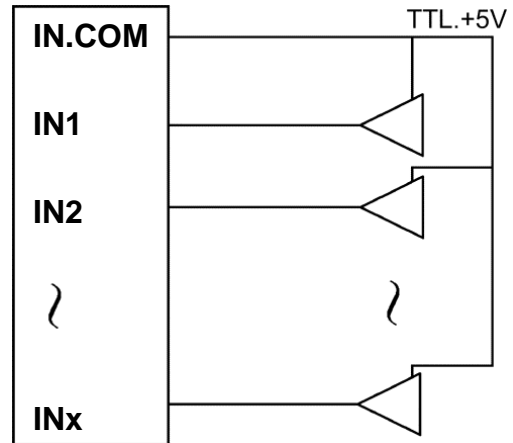
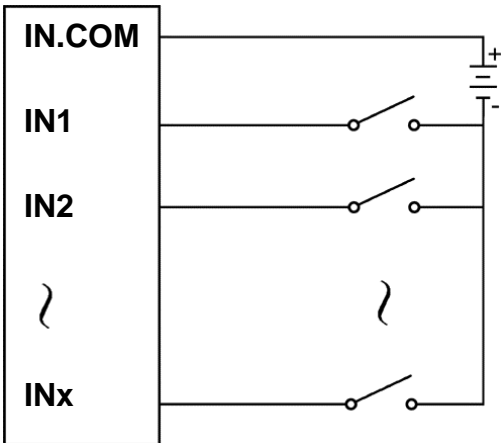


EX9050D/53D



**EX9041D/44D/60D/63D/63AD
/63BD/65AD/65BD**

**EX9041D/44D/60D/63D/63AD
/63BD/65AD/65BD**

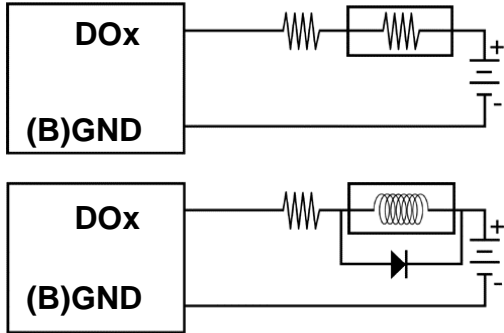


Wire Connection for D I/O

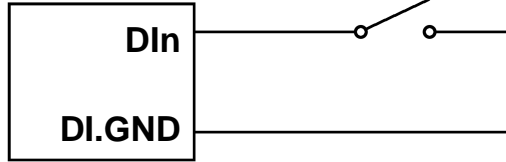
Open Collector O/P

EX9050D

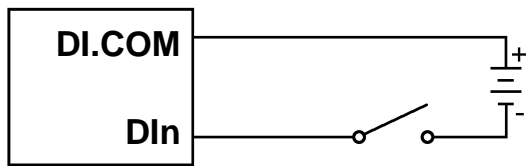
Note: while connect inductive load (drive relay), the diode is needed for prevent the counter EMF.



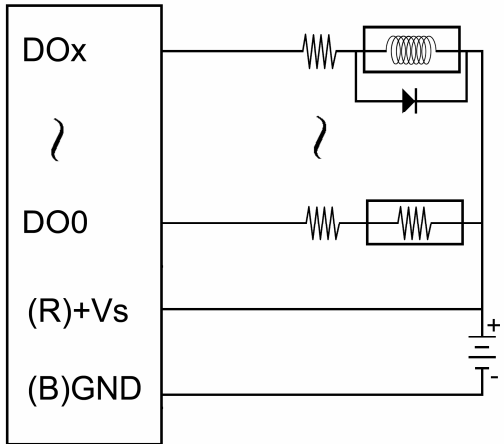
EX9051/55 Dry Contact Input



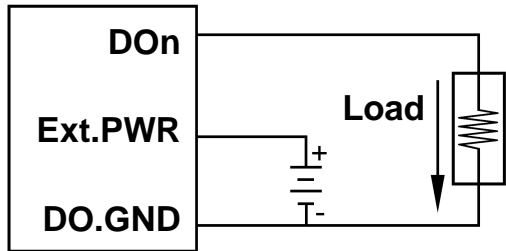
EX9051/55 Wet Contact Input



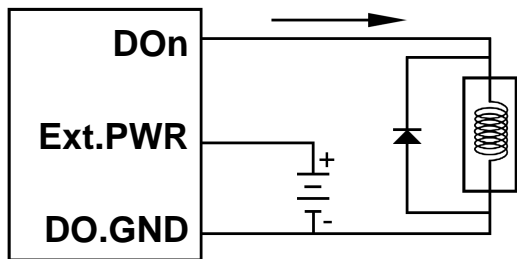
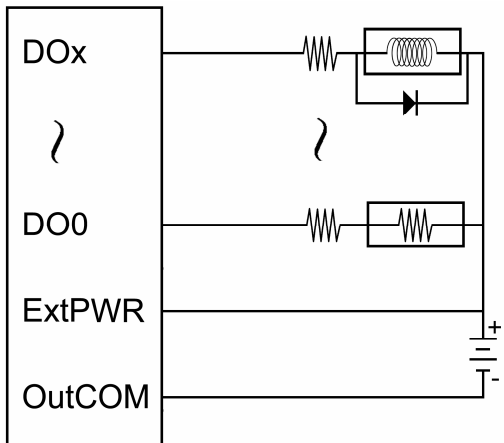
EX9043D



EX9055 Digital Output



EX9042D/44D



Note: The loading restriction is related by value of Ext.PWR (Only for EX9055)